

IN 250

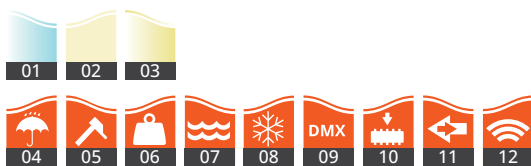
Easy to adjust structure, Body by Die-Casting, Aluminum + Stainless Steel 316 (front cover), Good glare control by louver.



SPECIFICATION

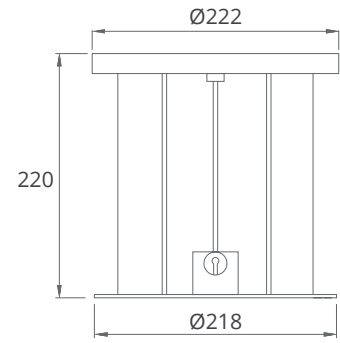
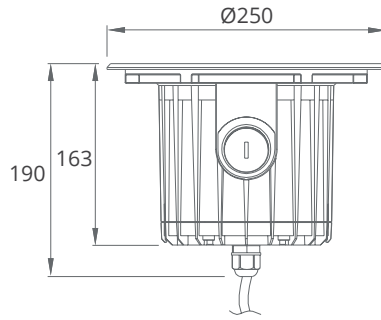
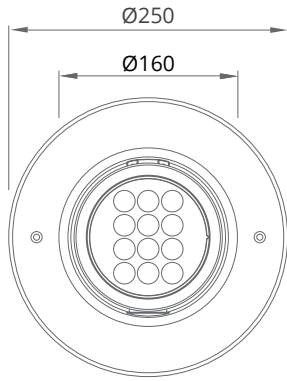
MODEL	UNDER WAVE IN 250
OPERATING VOLTAGE	24V DC
POWER CONSUMPTION	18W
LED TYPE	High Power LED
COLOUR TEMP OPTION	2700K, 3000K, 4000K, 5000K
CRI	80min
PRODUCT EFFICIENCY	75lm/W@3000K
FULL WIDTH AT HALF MAXIMUM (OPTICS)	15°, 25°, 30°
MATERIAL	Aluminum + Stainless Steel 316L + Tempered Glass
AMBIENT OPERATING TEMPERATURE	-20°C ~ +55°C
LUMEN MAINTENANCE	50,000 hours/L70 at 25°C
DIMENSIONS	Ø250*190 (H)mm
CABLE LENGTH	300mm
CONTROL SYSTEM	ON/OFF, 0-10V Dim
IP RATING	IP67
IK RATING	IK10

FEATURES & OPTIONS



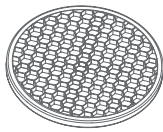
- 01. CW
- 02. NW
- 03. WW
- 04. IP67
- 05. IK10
- 06. ANTI-SALINE
- 07. POLAR
- 08. DMX
- 09. RFU
- 10. RDM
- 11. WIRELESS DATA

DIMENSIONS



Pre installation Kit

Honey Comb (HC)



*all units are in mm

OPTIC SELECTION



15°

LED	Lumens	Watts	Efficacy
WHITE	1308.18	18.50	70.74

CenterBeamLux	Illuminance at Distance
19606.69 lx	0.5 m
4901.67 lx	1.7 m
2178.52 lx	2.5 m
1225.42 lx	3.3 m
784.27 lx	4.2 m
544.63 lx	5.0 m

▪ Ver. Spread: 14.4° ▪ Horiz. Spread: 14.7°



30°

LED	Lumens	Watts	Efficacy
WHITE	1193.07	18.00	66.28

CenterBeamLux	Illuminance at Distance
4348.68 lx	0.5 m
1087.17 lx	1.7 m
483.19 lx	2.5 m
271.79 lx	3.3 m
173.95 lx	4.2 m
120.80 lx	5.0 m

▪ Ver. Spread: 31.5° ▪ Horiz. Spread: 31.9°

3000K